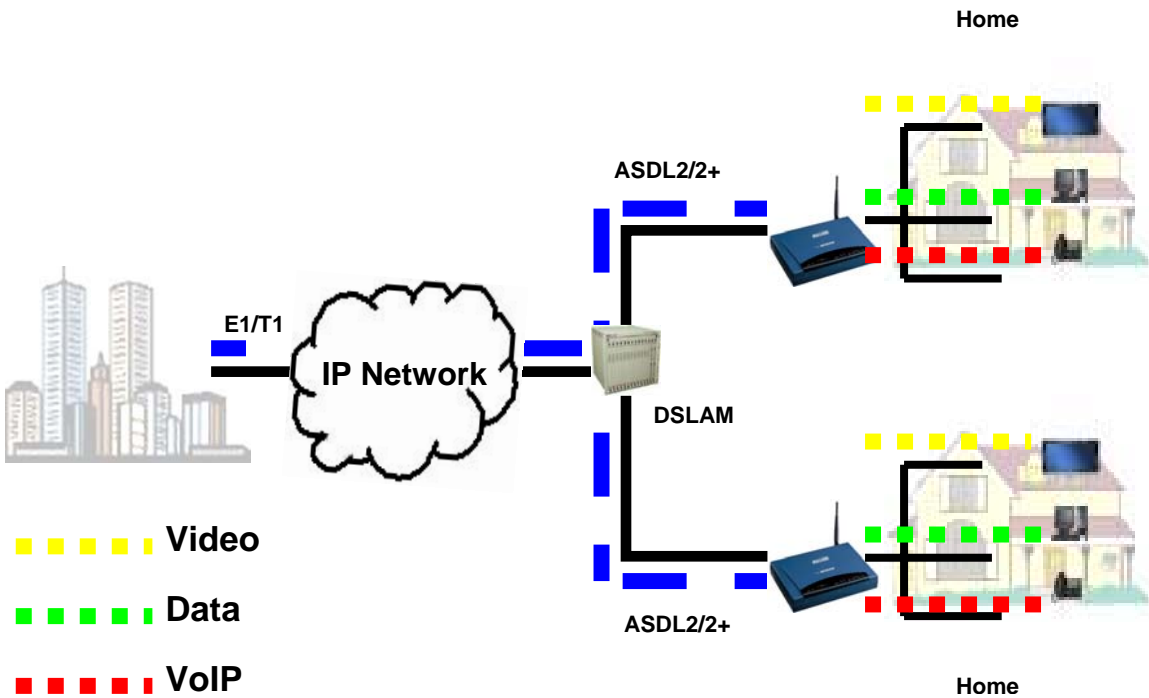
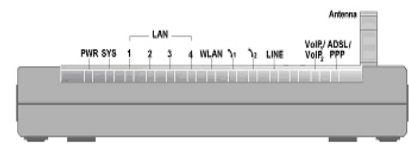


BEC 7404 Triple Play Series for ADSL2+

At BEC, we provide CPE solutions that help Service Providers reduce the cost of deploying their products and services in the marketplace. We supply leading-edge solutions designed to enhance the user's experience.

Imagine one small box to provide your customers with everything from high speed broadband data access to Voice and Wireless internet connection. The BEC 7404 Triple Play Gateway are compliant with all ADSL standards (ADSL, ADSL2, and ADSL2+), which enables you to migrate to the newer standards once they become available without having to upgrade your existing equipment.

With advanced quality of service (QoS) and home network distribution; VoIP, IP, and home computers can be networked and enjoyed throughout the entire household. Also, the BEC 7404 Triple Play Gateway has been tested for interoperability with all major DSLAM vendors.



A True Triple Play CPE

Main Benefits:

- Field proven interoperable with major CO equipment and DSLAMs.
- Interoperable with major IP Set Top Boxes and middleware vendors.
- All-in-one device with integrated ADSL2+ modem, 4 ports 10/100 Mbps auto-sensing Ethernet switch, 802.11 g WLAN access point, and VoIP ATA.
- Auto detection of Internet connection type provides ease of use for both service providers and end users to lower the cost of deployment.
- Robust Firewall Security with advance hanker pattern-filtering protection, with Denial of Service (DoS) and Stateful Packet Inspection (SPI).
- Quality of Service (QoS) provides full control over traffic prioritization and bandwidth management.
- Provides integrated VoIP (Voice over IP) enable user for cost-saving and toll-quality voice communication via internet connection.
- Fully compliant with ADSL2/2+ standard and, backward compatible to ADSL for worldwide deployment.
- Support downstream rate up to 12/24 Mbps with ADSL2/2+, 8Mbps with ADSL; Upstream rate up to 1 Mbps. Users enjoy not only high-speed ADSL services but also broadband multimedia applications such as interactive gaming, video streaming and real-time audio much easier and faster than ever.
- Lifeline support for extra back up, using the integrated RJ-11 FXO port, users can receive phone calls from PSTN while enjoying VoIP call service at the same time. In addition, the device automatically fallbacks to lifeline POTS when there is power outage, or when the Internet connection is down.

VoIP Standard and Features

- Compliant with SIP standard (RFC3261)
- CODEC G.711A/μ law, and G.729 Audio
- Codec standards
- 1 FXO port for PSTN lifeline support and
- Receiving calls from PSTN
- Two RJ-11 FXS ports for connecting to regular
- telephones
- Voice prioritization (QoS)
- Voice activity detection (VAD)
- Comfort noise generation (CNG)
- silence suppression
- G.168 line echo cancellation
- Caller ID generation (Bell 202,V23)
- Call Waiting
- Adaptive jitter buffer support
- Packet loss recovery/concealment
- 3-way calling <Server or CPE>
- Voice over data, QoS control to ensure higher voice quality
- Automatic fallback to lifeline POTS when the router power down or VoIP service is not available.
- Traffic Prioritization and Bandwidth Management for QoS Control
- Standard 911 support (FXO)
- DTMF Relay per RFC 2833 (Q1/06))
- DTMF in-band and out-of band (Q1/06)
- T.38 FAX relay support (Q1/06)

Feature & Specification

ADSL Compliance

- Compliant with ADSL Standard
 - Full-rate ANSI T1.413 Issue 2
 - G.dmt (ITU G.992.1)
 - G.hs (ITU G.994.1)
 - ADSL over ISDN/U-R2
- Compliant with ADSL2 Standard
 - G.dmt.bis (ITU G.992.3)
- Compliant with ADSL2+ Standard
 - G.dmt.bisplus (ITU G.992.5)

Network Protocols and Features

- NAT, static routing and RIP-1/2
- Universal Plug and Play (UPnP) Compliant
- Dynamic Domain Name System (DDNS)
- Virtual Server and DMZ
- SNTP, DNS relay and IGMP proxy
- POP3 (email account checking)
- IGMP Snooping for video service

Firewall

- Built-in NAT firewall
- Stateful Packet Inspection (SPI)
- Prevent DoS attacks including IP Spoofing, Land Attack, Smurf Attack, Ping of Death, TCP SYN Flooding, etc.
- Packet Filtering – port, source IP address, destination IP address, MAC address
- URL Content Filtering – string or domain name detection in URL string

VoIP

- Two RJ-11 FXS ports for connecting to regular telephones
- One RJ-11 FXO port for lifeline support and receiving calls from PSTN
- Compliant with SIP standard (RFC3261)
- Supports G.711 A/μ law, and G.729 Audio Codec standards
- Supports Telephony Features: call waiting, silence suppression, voice activity detection (VAD), comfort noise generation (CNG), G.168 line echo cancellation, caller ID (Bell 202, V23)
- Voice over data, QoS control to ensure higher voice quality
- Adaptive jitter buffer support
- Automatic fallback to lifeline POTS when the router power down or VoIP service is not available.

Quality of Service Control

- Support DiffServ approach
- Traffic prioritization and bandwidth management based-on IP protocol, port number and address

Wireless 802.11g (BEC 7404VGP only)

- Compliant with IEEE 802.11g and 802.11b standards
- 2.4 GHz – 2.484G Hz frequency range
- Up to 54 Mbps wireless operation rate
- 64/128 bits WEP supported for encryption
- WPA support

ATM and PPP Protocols

- ATM Adaptation Layer Type 5 (AAL5)
- Multiple Protocol over AAL5 (RFC 2684, formerly RFC 1483)
- Bridged or routed Ethernet encapsulation
- VC and LLC based multiplexing
- PPP over Ethernet (PPPoE)
- PPP over ATM (RFC 2364)
- Classical IP over ATM (RFC 1577)
- MAC Encapsulated Routing (RFC 1483 MER)
- OAM F4/F5

Management

- Quick Installation Wizard and Auto-scan ADSL settings
- Web-based GUI for remote and local management
- Firmware upgraded and configuration data upload and download via Web-based GUI
- Embedded Telnet server for remote and local management
- TR-069 compliant for remote management
- Available Syslog monitoring
- SNMP v3, MIB-I and MIB-II support
- Support DHCP server/client/relay

Hardware Specification

Physical Interface

- WAN: ADSL port
- Telephone: 2-port FXS
1-port FXO
- LAN: 4-port 10/100M auto-crossover (MDI/MDI-X) Switch
- Factory default reset button
- Power jack
- Power switch

Physical Specification

- Dimensions: 8.27" x 5.83" x 1.42"
(210mm x 148mm x 36mm)

Power Requirement

- Input: 12VDC, 1.2A

Operating Environment

- Operating temperature: 0 ~ 40°
- Storage temperature: -20 ~ 70°
- Humidity: 20 ~ 95% non-condensing

* Specifications are subject to changes without notice.

* The router may require firmware modification for certain ADSL2/+ DSLAMS.